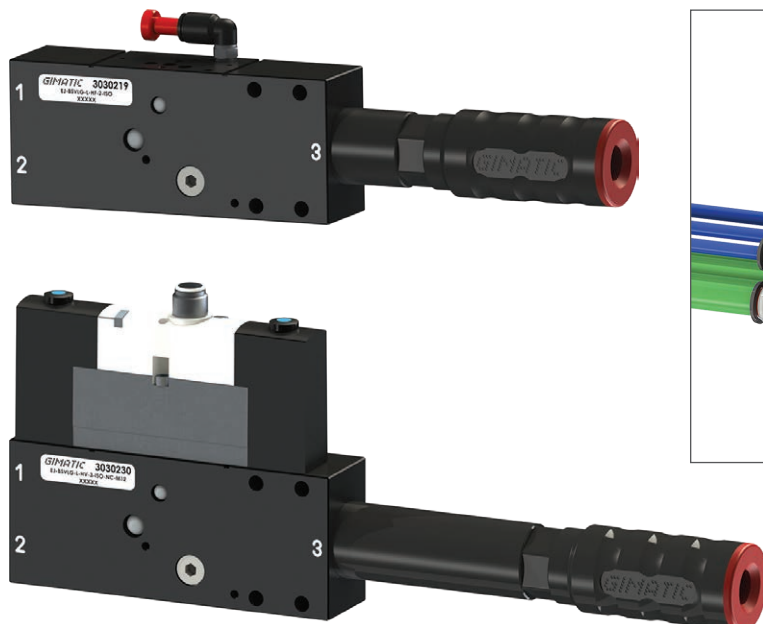


EJ-BSVLG-LARGE-ISO

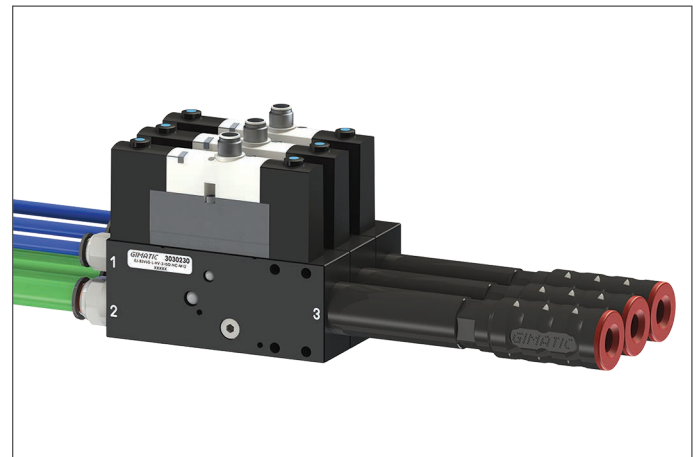
- Ideal for centralized and decentralized applications
- Excellent ratio between suction flow rate and compressed air consumption
- Available with ON/OFF vacuum valve, blow-off, and integrated manual override control
- POM manifold prepared for mounting ISO 15407-1 (18 mm) valve of type 2x 3/2 NC or 5/3 with closed centre
- Available with two- and three-stage EJ-LARGE cartridges (EJ-HF and EJ-HV)
- Additional vacuum ports for mounting a vacuum switch
- In-line design for greater dirt tolerance
- Installable in series

Typical applications

- Case packing and cartoning machines
- In applications that require an integrated control system with reduced weight and compact dimensions (electronics sector)
- Handling objects with heavy weights and porous surfaces



Application example



Pump technical features

Medium	Compressed air in compliance with ISO 8573-1:2010 [7:4:4]
Max feed pressure	0.7 MPa
Weight (with solenoid valve)	260 (450) g
Material	SS, POM, Al, Nitrile (NBR)
Noise level	< 70 dB
Operating temperature	-5 ÷ +50 °C

Technical features of NC solenoid valve (included in version EJ-BSVLG-L*-ISO-NC-*)

Brand	Festo	
Model	VSVA-B-T32C-AZH-A2-1R5L	
Operation	2x 3/2 Normally closed (NC), pneumatic spring loaded	A
Type of electrical connection	4-pin M12x1 Male (compatible with 5-pin M12x1 Male)	
Drive voltage	24 Vcc ±10%	
Power absorption	1/2.4 W (min/max)	
IP rating	IP65	
Piloting	External	
Standard	ISO 15407-1: VDMA 24 563	

Technical features of NO solenoid valve (included in version EJ-BSVLG-L-*-ISO-NO-*)

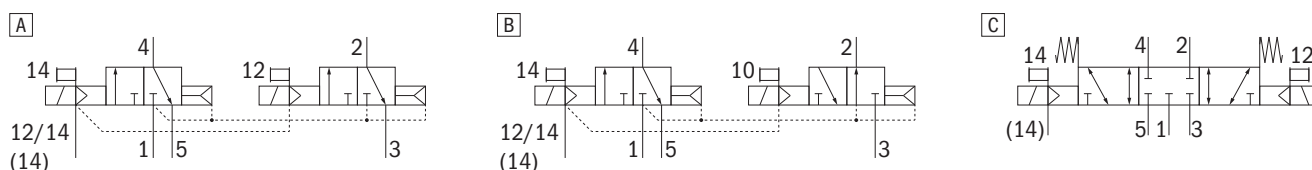
Brand	Festo		
Model	VSVA-B-T32H-AZH-A2-1R5L		
Operation	2x 3/2 Normally open (NO), pneumatic spring loaded	B	
Type of electrical connection	4-pin M12x1 Male (compatible with 5-pin M12x1 Male)		
Drive voltage	24 Vcc ± 10%		
Power absorption	1/2.4 W (min/max)		
IP rating	IP65		
Piloting	External		
Standard	ISO 15407-1: VDMA 24 563		

Features of compatible valves

Standard	ISO 15407-1 (18 mm)		
Required piloting	External		
Operation	2x 3/2 NC	A	3/2 NO 3/2 NC B 5/3 CC C
Piloting outlet	Not conveyed		

Example of compatible valves

Brand	Coding	Lay-out	Logic	Connectors
Aignep	05V S0 7 CC 00	C	5/3 CC	Type C
Festo	VSVA-B-T32C-AZH-A2-1C1	A	2x 3/2 NC	Type C
Festo	VSVA-B-T32H-AZH-A2-1C1	B	3/2 NO - 3/2 NC	Type C
Festo	VSVA-B-P53C-ZH-A2-1C1	C	5/3 CC	Type C
Norgren	V415A22D-C313A	A	2x 3/2 NC	Type C


Suction flow rate

Model	Feed pressure [MPa]	Air consumption [NI/s]	Suction flow rate [NI/s] at different vacuum levels [kPa]										Max vacuum [kPa]
			0	-10	-20	-30	-40	-50	-60	-70	-80	-90	
EJ-BSVLG-L-HF-2-ISO	0.6	1.7	3.2	3.0	2.5	1.7	0.89	0.62	0.51	0.31	–	–	-73
EJ-BSVLG-L-HF-3-ISO	0.6	1.7	5.9	3.5	2.5	1.7	0.89	0.62	0.51	0.31	–	–	-73
EJ-BSVLG-L-HV-2-ISO	0.5	1.93	2.6	2.4	1.7	1.3	0.70	0.55	0.40	0.31	0.15	0.02	-94
EJ-BSVLG-L-HV-3-ISO	0.5	1.93	6.0	3.7	2.1	1.9	0.79	0.55	0.40	0.31	0.15	0.02	-94

For technical specifications, regarding the suction flow rate and the air consumption at different pressures, please refer to the technical data sheets of the EJ-LARGE cartridges in the two- and three-stage versions

Evacuation time

Model	Feed pressure [MPa]	Air consumption [NI/s]	Evacuation time [s/l] to reach different vacuum levels [kPa]									Max vacuum [kPa]
			-10	-20	-30	-40	-50	-60	-70	-80	-90	
EJ-BSVLG-L-HF-2-ISO	0.6	1.7	0.03	0.07	0.12	0.19	0.3	0.4	0.7	–	–	-73
EJ-BSVLG-L-HF-3-ISO	0.6	1.7	0.02	0.05	0.10	0.19	0.3	0.4	0.7	–	–	-73
EJ-BSVLG-L-HV-2-ISO	0.5	1.93	0.04	0.09	0.16	0.3	0.4	0.6	0.9	1.3	2.5	-94
EJ-BSVLG-L-HV-3-ISO	0.5	1.93	0.02	0.06	0.10	0.2	0.3	0.4	0.7	1.1	2.4	-94

For technical specifications regarding the evacuation time and the consumption at different pressures, please refer to the technical data sheets of the EJ-LARGE cartridges, in the two- and three-stage versions

Identification codes - NC solenoid valve

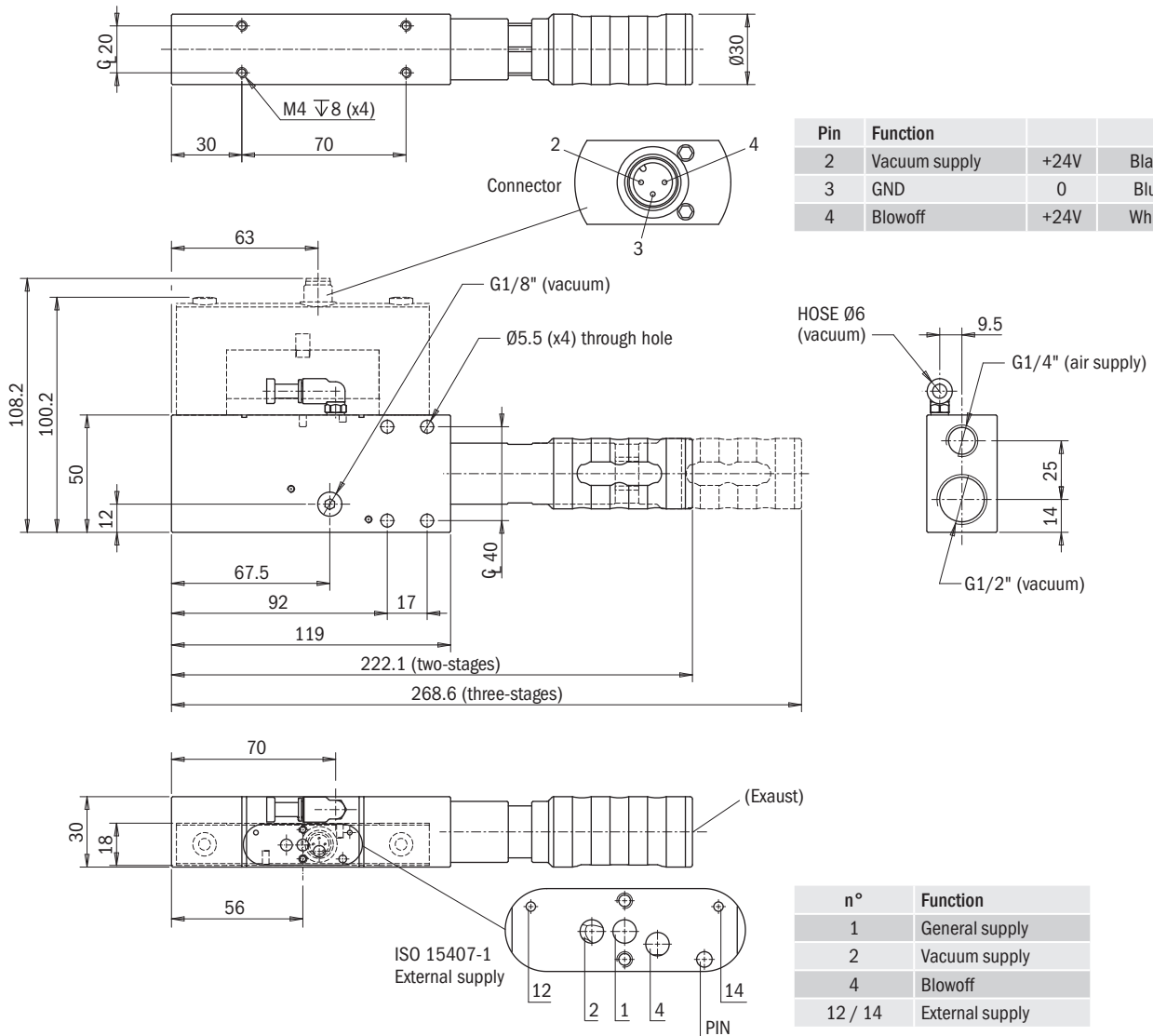
Alphanumeric code	Description	Order code
EJ-BSVLG-L-HF-2-ISO-NC-M12	EJ-BSVLG-LARGE-HF-2-ISO vacuum pump with holder and integrated silencer, with 3/2 x2 NC solenoid valve for vacuum and blow-off, M12x1 5-pin connection, G1/2" vacuum port	3030227
EJ-BSVLG-L-HF-3-ISO-NC-M12	EJ-BSVLG-LARGE-HF-3-ISO vacuum pump with holder and integrated silencer, with 3/2 x2 NC solenoid valve for vacuum and blow-off, M12x1 5-pin connection, G1/2" vacuum port	3030228
EJ-BSVLG-L-HV-2-ISO-NC-M12	EJ-BSVLG-LARGE-HV-2-ISO vacuum pump with holder and integrated silencer, with 3/2 x2 NC solenoid valve for vacuum and blow-off, M12x1 5-pin connection, G1/2" vacuum port	3030229
EJ-BSVLG-L-HV-3-ISO-NC-M12	EJ-BSVLG-LARGE-HV-3-ISO vacuum pump with holder and integrated silencer, with 3/2 x2 NC solenoid valve for vacuum and blow-off, M12x1 5-pin connection, G1/2" vacuum port	3030230
EJ-BSVLG-L-DT-2-ISO-NC-M12-H	EJ-BSVLG-LARGE-DT-2-ISO vacuum pump with holder, 3/2 x2 NC solenoid valve for vacuum and blow-off, M12x1 5-pin connection, IP54, G1/2" vacuum port	3030260
EJ-BSVLG-L-HF-2-ISO-NC-M12-H	EJ-BSVLG-LARGE-HF-2-ISO vacuum pump with holder, 3/2 x2 NC solenoid valve for vacuum and blow-off, M12x1 5-pin connection, IP54, G1/2" vacuum port	3031227 NEW
EJ-BSVLG-L-HF-3-ISO-NC-M12-H	EJ-BSVLG-LARGE-HF-3-ISO vacuum pump with holder, 3/2 x2 NC solenoid valve for vacuum and blow-off, M12x1 5-pin connection, IP54, G1/2" vacuum port	3031228 NEW
EJ-BSVLG-L-HV-2-ISO-NC-M12-H	EJ-BSVLG-LARGE-HV-2-ISO vacuum pump with holder, 3/2 x2 NC solenoid valve for vacuum and blow-off, M12x1 5-pin connection, IP54, G1/2" vacuum port	3031229 NEW
EJ-BSVLG-L-HV-3-ISO-NC-M12-H	EJ-BSVLG-LARGE-HV-3-ISO vacuum pump with holder, 3/2 x2 NC solenoid valve for vacuum and blow-off, M12x1 5-pin connection, IP54, G1/2" vacuum port	3031230 NEW
EJ-BSVLG-L-HF-2-NR-ISO-NC-M12	EJ-BSVLG-LARGE-HF-2-NR-ISO vacuum pump with holder, 3/2 x2 NC solenoid valve for vacuum and blow-off, M12x1 5-pin connection, IP54, G1/2" vacuum port (energy saving)	3032227 NEW
EJ-BSVLG-L-HF-3-NR-ISO-NC-M12	EJ-BSVLG-LARGE-HF-3-NR-ISO vacuum pump with holder, 3/2 x2 NC solenoid valve for vacuum and blow-off, M12x1 5-pin connection, IP54, G1/2" vacuum port (energy saving)	3032228 NEW
EJ-BSVLG-L-HV-2-NR-ISO-NC-M12	EJ-BSVLG-LARGE-HV-2-NR-ISO vacuum pump with holder, 3/2 x2 NC solenoid valve for vacuum and blow-off, M12x1 5-pin connection, IP54, G1/2" vacuum port (energy saving)	3032229 NEW
EJ-BSVLG-L-HV-3-NR-ISO-NC-M12	EJ-BSVLG-LARGE-HV-3-NR-ISO vacuum pump with holder, 3/2 x2 NC solenoid valve for vacuum and blow-off, M12x1 5-pin connection, IP54, G1/2" vacuum port (energy saving)	3032230 NEW

Identification codes - NO solenoid valve

Alphanumeric code	Description	Order code
EJ-BSVLG-L-HF-2-ISO-NO-M12	EJ-BSVLG-LARGE-HF-2-ISO vacuum pump with holder and integrated silencer, with 3/2 x2 NO solenoid valve for vacuum and blow-off, M12x1 5-pin connection, G1/2" vacuum port	3030270
EJ-BSVLG-L-HF-3-ISO-NO-M12	EJ-BSVLG-LARGE-HF-3-ISO vacuum pump with holder and integrated silencer, with 3/2 x2 NO solenoid valve for vacuum and blow-off, M12x1 5-pin connection, G1/2" vacuum port	3030271
EJ-BSVLG-L-HV-2-ISO-NO-M12	EJ-BSVLG-LARGE-HV-2-ISO vacuum pump with holder and integrated silencer, with 3/2 x2 NO solenoid valve for vacuum and blow-off, M12x1 5-pin connection, G1/2" vacuum port	3030272
EJ-BSVLG-L-HV-3-ISO-NO-M12	EJ-BSVLG-LARGE-HV-3-ISO vacuum pump with holder and integrated silencer, with 3/2 x2 NO solenoid valve for vacuum and blow-off, M12x1 5-pin connection, G1/2" vacuum port	3030273
EJ-BSVLG-L-HF-2-ISO-NO-M12-H	EJ-BSVLG-LARGE-HF-2-ISO vacuum pump with holder, 3/2 x2 NO solenoid valve for vacuum and blow-off, M12x1 5-pin connection, IP54, G1/2" vacuum port	3031270 NEW
EJ-BSVLG-L-HF-3-ISO-NO-M12-H	EJ-BSVLG-LARGE-HF-3-ISO vacuum pump with holder, 3/2 x2 NO solenoid valve for vacuum and blow-off, M12x1 5-pin connection, IP54, G1/2" vacuum port	3031271 NEW
EJ-BSVLG-L-HV-2-ISO-NO-M12-H	EJ-BSVLG-LARGE-HV-2-ISO vacuum pump with holder, 3/2 x2 NO solenoid valve for vacuum and blow-off, M12x1 5-pin connection, IP54, G1/2" vacuum port	3031272 NEW
EJ-BSVLG-L-HV-3-ISO-NO-M12-H	EJ-BSVLG-LARGE-HV-3-ISO vacuum pump with holder, 3/2 x2 NO solenoid valve for vacuum and blow-off, M12x1 5-pin connection, IP54, G1/2" vacuum port	3031273 NEW
EJ-BSVLG-L-HF-2-NR-ISO-NO-M12	EJ-BSVLG-LARGE-HF-2-NR-ISO vacuum pump with holder, 3/2 x2 NO solenoid valve for vacuum and blow-off, M12x1 5-pin connection, IP54, G1/2" vacuum port (energy saving)	3032270 NEW
EJ-BSVLG-L-HF-3-NR-ISO-NO-M12	EJ-BSVLG-LARGE-HF-3-NR-ISO vacuum pump with holder, 3/2 x2 NO solenoid valve for vacuum and blow-off, M12x1 5-pin connection, IP54, G1/2" vacuum port (energy saving)	3032271 NEW
EJ-BSVLG-L-HV-2-NR-ISO-NO-M12	EJ-BSVLG-LARGE-HV-2-NR-ISO vacuum pump with holder, 3/2 x2 NO solenoid valve for vacuum and blow-off, M12x1 5-pin connection, IP54, G1/2" vacuum port (energy saving)	3032272 NEW
EJ-BSVLG-L-HV-3-NR-ISO-NO-M12	EJ-BSVLG-LARGE-HV-3-NR-ISO vacuum pump with holder, 3/2 x2 NO solenoid valve for vacuum and blow-off, M12x1 5-pin connection, IP54, G1/2" vacuum port (energy saving)	3032273 NEW

Identification codes - Solenoid valve not included

Alphanumeric code	Description	Order code
EJ-BSVLG-L-HF-2-ISO	EJ-BSVLG-LARGE-HF-2-ISO vacuum pump with holder and integrated silencer, ready for ISO 15407-1 valve, G1/2" vacuum port	3030219
EJ-BSVLG-L-HF-3-ISO	EJ-BSVLG-LARGE-HF-3-ISO vacuum pump with holder and integrated silencer, ready for ISO 15407-1 valve, G1/2" vacuum port	3030220
EJ-BSVLG-L-HV-2-ISO	EJ-BSVLG-LARGE-HV-2-ISO vacuum pump with holder and integrated silencer, ready for ISO 15407-1 valve, G1/2" vacuum port	3030221
EJ-BSVLG-L-HV-3-ISO	EJ-BSVLG-LARGE-HV-3-ISO vacuum pump with holder and integrated silencer, ready for ISO 15407-1 valve, G1/2" vacuum port	3030222


Identification codes - Accessories

Alphanumeric code	Connector
CFGM1200430	Axial female connector with M12 lock nut, 4-pin, round PVC cable, length 3 metres
CFGM1290430	Angular female connector with M12 lock nut, 4-pin, round PVC cable, length 3 metres