

EJ-CEN-LARGE

- Ideal for centralized applications
- Modular and configurable from 5 to 16 two-stage EJ-LARGE cartridges (EJ-HF and EJ-HV)
- Compact size and high suction flow rate
- Sturdy design and low weight (aluminium body and PA12 silencer)
- Possibility of working during suction or blowing (remove silencer)

Typical applications

- Graphic design, offset machines, pre- and post-printing
- Liquid filling and emptying applications
- Handling objects with heavy weights and porous surfaces

NEW

Application example



Technical features

Medium	Compressed air in compliance with ISO 8573-1:2010 [7:4:4]
Max feed pressure	0.7 MPa
Weight	1400 ± 1700 g
Material	PA12, Al, SS, Nitrile (NBR)
Noise level	< 70 dB

Suction flow rate

Model	Feed pressure [MPa]	Air consumption [NI/s]	Suction flow rate [NI/s] at different vacuum levels [kPa]										Max vacuum [kPa]
			0	-10	-20	-30	-40	-50	-60	-70	-80	-90	
EJ-CEN-LX5-HV-2-G1	0.5	9.65	13.1	12.1	8.5	6.9	3.65	2.9	2.14	1.5	0.9	0.16	-94
EJ-CEN-LX6-HV-2-G1	0.5	11.58	15.6	14.4	10.2	8.4	4.36	3.47	2.59	1.91	1.09	0.18	-94
EJ-CEN-LX7-HV-2-G1	0.5	13.51	18.2	16.8	11.9	9.9	5.10	4.05	3.01	2.25	1.24	0.21	-94
EJ-CEN-LX8-HV-2-G1	0.5	15.44	20.8	19.2	13.6	11.4	5.83	4.60	3.42	2.54	1.44	0.24	-94
EJ-CEN-LX9-HV-2-G1-1/2	0.5	17.37	23.4	21.6	14.8	12.9	6.58	5.23	3.86	2.87	1.62	0.27	-94
EJ-CEN-LX10-HV-2-G1-1/2	0.5	19.3	26.1	23.9	16.5	14.4	7.4	5.7	4.3	3.2	1.8	0.31	-94
EJ-CEN-LX11-HV-2-G1-1/2	0.5	21.23	28.6	26.4	18.2	15.9	8.4	6.37	4.72	3.53	1.98	0.32	-94
EJ-CEN-LX12-HV-2-G1-1/2	0.5	23.16	31.2	28.8	19.9	17.4	8.72	6.95	5.16	3.85	2.16	0.36	-94
EJ-CEN-LX13-HV-2-G1-1/2	0.5	25.09	33.8	31.2	21.6	18.9	9.50	7.52	5.53	4.13	2.32	0.39	-94
EJ-CEN-LX14-HV-2-G2	0.5	27.02	36.4	33.6	23.3	20.4	10.3	8.13	6.02	4.45	2.51	0.41	-94
EJ-CEN-LX15-HV-2-G2	0.5	28.95	39.1	35.9	25.1	21.9	10.9	8.7	6.43	4.81	2.71	0.45	-94
EJ-CEN-LX16-HV-2-G2	0.5	30.88	41.6	38.4	26.7	23.4	11.6	9.27	6.85	5.12	2.87	0.47	-94
EJ-CEN-LX5-HF-2-G1	0.6	8.5	16.1	12.5	10.8	8.4	4.3	2.9	2.4	1.69	-	-	-73
EJ-CEN-LX6-HF-2-G1	0.6	10.2	19.2	14.9	11.9	9.9	5.3	3.5	2.9	2.1	-	-	-73
EJ-CEN-LX7-HF-2-G1	0.6	11.9	22.4	17.5	13.4	10.9	6.2	4.3	3.5	2.4	-	-	-73
EJ-CEN-LX8-HF-2-G1	0.6	13.6	25.6	19.5	16.5	11.8	7.1	4.5	4.1	2.7	-	-	-73
EJ-CEN-LX9-HF-2-G1-1/2	0.6	15.3	28.8	22.5	18.4	14.3	7.9	5.3	4.5	3.14	-	-	-73
EJ-CEN-LX10-HF-2-G1-1/2	0.6	17.0	32.0	24.9	19.7	15.8	8.7	6.1	5.0	3.45	-	-	-73
EJ-CEN-LX11-HF-2-G1-1/2	0.6	18.7	35.2	27.5	23.7	16.7	9.6	6.2	5.4	3.83	-	-	-73
EJ-CEN-LX12-HF-2-G1-1/2	0.6	20.4	38.4	29.8	26.4	18.2	10.1	7.1	5.9	4.21	-	-	-73
EJ-CEN-LX13-HF-2-G1-1/2	0.6	22.1	41.4	32.4	28.4	21.7	11.3	7.8	6.4	4.5	-	-	-73
EJ-CEN-LX14-HF-2-G2	0.6	23.8	44.8	34.9	31.0	23.5	12.1	8.3	6.9	4.89	-	-	-73
EJ-CEN-LX15-HF-2-G2	0.6	25.5	47.9	37.5	29.3	24.5	13.6	8.8	7.4	5.25	-	-	-73
EJ-CEN-LX16-HF-2-G2	0.6	27.2	49.9	40.1	35.7	27.2	14.3	9.5	7.9	5.5	-	-	-73

For technical specifications, regarding the suction flow rate and the air consumption at different pressures, please refer to the technical data sheets of the EJ-LARGE cartridges in the two-stage version

Evacuation time

Model	Feed pressure [MPa]	Air consumption [NI/s]	Evacuation time [s/l] to reach different vacuum levels [kPa]									Max vacuum [kPa]
			-10	-20	-30	-40	-50	-60	-70	-80	-90	
EJ-CEN-LX5-HV-2-G1	0.5	9.65	0.008	0.018	0.032	0.060	0.074	0.11	0.16	0.24	0.43	-94
EJ-CEN-LX6-HV-2-G1	0.5	11.58	0.007	0.015	0.026	0.050	0.062	0.094	0.14	0.2	0.37	-94
EJ-CEN-LX7-HV-2-G1	0.5	13.51	0.006	0.012	0.022	0.042	0.052	0.080	0.13	0.18	0.30	-94
EJ-CEN-LX8-HV-2-G1	0.5	15.44	0.005	0.011	0.020	0.037	0.047	0.072	0.10	0.15	0.27	-94
EJ-CEN-LX9-HV-2-G1-1/2	0.5	17.37	0.004	0.010	0.018	0.033	0.042	0.063	0.092	0.13	0.24	-94
EJ-CEN-LX10-HV-2-G1-1/2	0.5	19.3	0.004	0.009	0.016	0.030	0.038	0.059	0.084	0.11	0.22	-94
EJ-CEN-LX11-HV-2-G1-1/2	0.5	21.23	0.004	0.008	0.015	0.036	0.034	0.052	0.076	0.11	0.2	-94
EJ-CEN-LX12-HV-2-G1-1/2	0.5	23.16	0.003	0.007	0.013	0.024	0.031	0.047	0.08	0.1	0.18	-94
EJ-CEN-LX13-HV-2-G1-1/2	0.5	25.09	0.003	0.007	0.012	0.023	0.030	0.045	0.065	0.091	0.17	-94
EJ-CEN-LX14-HV-2-G2	0.5	27.02	0.002	0.006	0.011	0.021	0.028	0.042	0.07	0.085	0.15	-94
EJ-CEN-LX15-HV-2-G2	0.5	28.95	0.002	0.006	0.010	0.020	0.025	0.038	0.056	0.08	0.14	-94
EJ-CEN-LX16-HV-2-G2	0.5	30.88	0.002	0.005	0.010	0.018	0.024	0.037	0.055	0.07	0.13	-94
EJ-CEN-LX5-HF-2-G1	0.6	8.5	0.009	0.019	0.034	0.061	0.066	0.11	0.16	-	-	-73
EJ-CEN-LX6-HF-2-G1	0.6	10.2	0.008	0.016	0.027	0.051	0.056	0.089	0.12	-	-	-73
EJ-CEN-LX7-HF-2-G1	0.6	11.9	0.007	0.013	0.024	0.043	0.049	0.075	0.11	-	-	-73
EJ-CEN-LX8-HF-2-G1	0.6	13.6	0.006	0.012	0.021	0.039	0.040	0.067	0.1	-	-	-73
EJ-CEN-LX9-HF-2-G1-1/2	0.6	15.3	0.005	0.012	0.020	0.035	0.037	0.058	0.087	-	-	-73
EJ-CEN-LX10-HF-2-G1-1/2	0.6	17.0	0.005	0.010	0.017	0.031	0.034	0.054	0.08	-	-	-73
EJ-CEN-LX11-HF-2-G1-1/2	0.6	18.7	0.005	0.009	0.016	0.036	0.03	0.048	0.072	-	-	-73
EJ-CEN-LX12-HF-2-G1-1/2	0.6	20.4	0.004	0.008	0.014	0.025	0.028	0.044	0.067	-	-	-73
EJ-CEN-LX13-HF-2-G1-1/2	0.6	22.1	0.004	0.009	0.012	0.023	0.026	0.040	0.063	-	-	-73
EJ-CEN-LX14-HF-2-G2	0.6	23.8	0.003	0.007	0.011	0.021	0.025	0.037	0.057	-	-	-73
EJ-CEN-LX15-HF-2-G2	0.6	25.5	0.003	0.007	0.010	0.020	0.023	0.035	0.052	-	-	-73
EJ-CEN-LX16-HF-2-G2	0.6	27.2	0.003	0.007	0.010	0.019	0.021	0.033	0.04	-	-	-73

For technical specifications regarding the evacuation time and the consumption at different pressures, please refer to the technical data sheets of the EJ-LARGE cartridges, in the two-stage version

Identification codes for suction applications (integrated silencer)

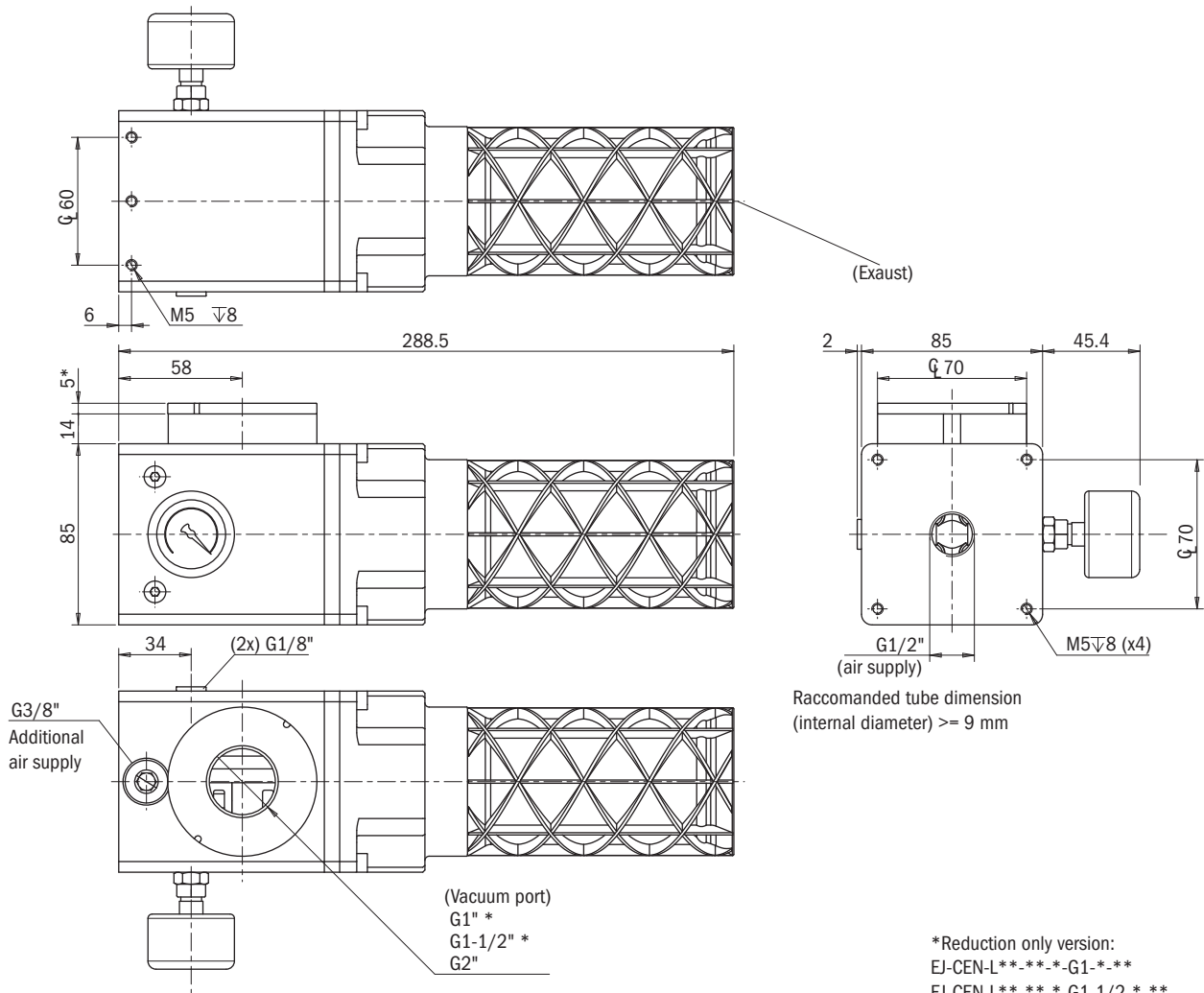
Alphanumeric code	Description	Order code
EJ-CEN-LX5-HV-2-G1	EJ-CEN-LARGEX5-HV vacuum pump with silencer and analogue vacuum gauge, G1" vacuum port	3330135
EJ-CEN-LX6-HV-2-G1	EJ-CEN-LARGEX6-HV vacuum pump with silencer and analogue vacuum gauge, G1" vacuum port	3330136
EJ-CEN-LX7-HV-2-G1	EJ-CEN-LARGEX7-HV vacuum pump with silencer and analogue vacuum gauge, G1" vacuum port	3330137
EJ-CEN-LX8-HV-2-G1	EJ-CEN-LARGEX8-HV vacuum pump with silencer and analogue vacuum gauge, G1" vacuum port	3330138
EJ-CEN-LX9-HV-2-G1-1/2	EJ-CEN-LARGEX9-HV vacuum pump with silencer and analogue vacuum gauge, G1-1/2" vacuum port	3330139
EJ-CEN-LX10-HV-2-G1-1/2	EJ-CEN-LARGEX10-HV vacuum pump with silencer and analogue vacuum gauge, G1-1/2" vacuum port	3330140
EJ-CEN-LX11-HV-2-G1-1/2	EJ-CEN-LARGEX11-HV vacuum pump with silencer and analogue vacuum gauge, G1-1/2" vacuum port	3330141
EJ-CEN-LX12-HV-2-G1-1/2	EJ-CEN-LARGEX12-HV vacuum pump with silencer and analogue vacuum gauge, G1-1/2" vacuum port	3330142
EJ-CEN-LX13-HV-2-G1-1/2	EJ-CEN-LARGEX13-HV vacuum pump with silencer and analogue vacuum gauge, G1-1/2" vacuum port	3330143
EJ-CEN-LX14-HV-2-G2	EJ-CEN-LARGEX14-HV vacuum pump with silencer and analogue vacuum gauge, G2" vacuum port	3330144
EJ-CEN-LX15-HV-2-G2	EJ-CEN-LARGEX15-HV vacuum pump with silencer and analogue vacuum gauge, G2" vacuum port	3330145
EJ-CEN-LX16-HV-2-G2	EJ-CEN-LARGEX16-HV vacuum pump with silencer and analogue vacuum gauge, G2" vacuum port	3330146
EJ-CEN-LX5-HF-2-G1	EJ-CEN-LARGEX5-HF vacuum pump with silencer and analogue vacuum gauge, G1" vacuum port	3330147
EJ-CEN-LX6-HF-2-G1	EJ-CEN-LARGEX6-HF vacuum pump with silencer and analogue vacuum gauge, G1" vacuum port	3330148
EJ-CEN-LX7-HF-2-G1	EJ-CEN-LARGEX7-HF vacuum pump with silencer and analogue vacuum gauge, G1" vacuum port	3330149
EJ-CEN-LX8-HF-2-G1	EJ-CEN-LARGEX8-HF vacuum pump with silencer and analogue vacuum gauge, G1" vacuum port	3330150
EJ-CEN-LX9-HF-2-G1-1/2	EJ-CEN-LARGEX9-HF vacuum pump with silencer and analogue vacuum gauge, G1-1/2" vacuum port	3330151
EJ-CEN-LX10-HF-2-G1-1/2	EJ-CEN-LARGEX10-HF vacuum pump with silencer and analogue vacuum gauge, G1-1/2" vacuum port	3330152
EJ-CEN-LX11-HF-2-G1-1/2	EJ-CEN-LARGEX11-HF vacuum pump with silencer and analogue vacuum gauge, G1-1/2" vacuum port	3330153
EJ-CEN-LX12-HF-2-G1-1/2	EJ-CEN-LARGEX12-HF vacuum pump with silencer and analogue vacuum gauge, G1-1/2" vacuum port	3330154
EJ-CEN-LX13-HF-2-G1-1/2	EJ-CEN-LARGEX13-HF vacuum pump with silencer and analogue vacuum gauge, G1-1/2" vacuum port	3330155
EJ-CEN-LX14-HF-2-G2	EJ-CEN-LARGEX14-HF vacuum pump with silencer and analogue vacuum gauge, G2" vacuum port	3330156
EJ-CEN-LX15-HF-2-G2	EJ-CEN-LARGEX15-HF vacuum pump with silencer and analogue vacuum gauge, G2" vacuum port	3330157
EJ-CEN-LX16-HF-2-G2	EJ-CEN-LARGEX16-HF vacuum pump with silencer and analogue vacuum gauge, G2" vacuum port	3330158

Identification codes for blowing applications (without integrated silencer)

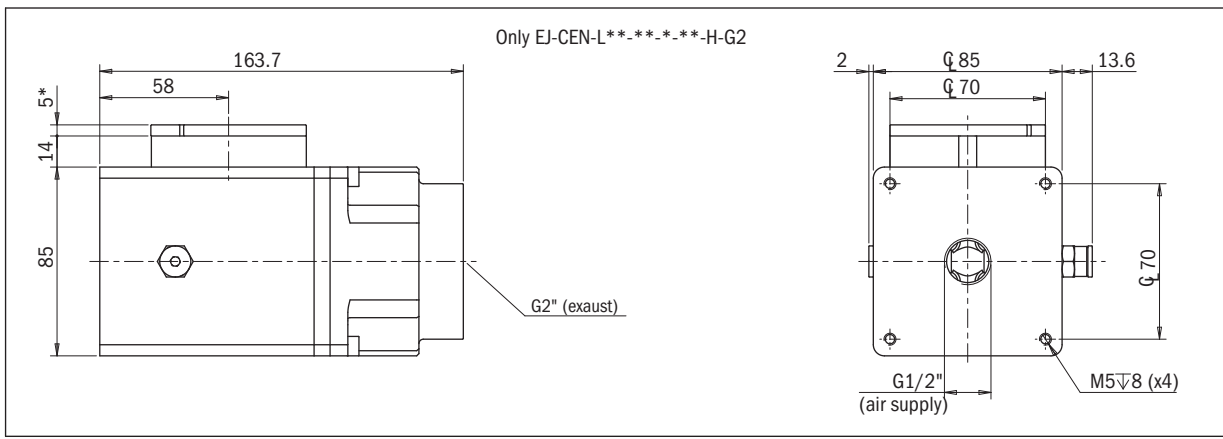
Alphanumeric code	Description	Order code
EJ-CEN-LX5-HV-2-G1-H-G2	EJ-CEN-LARGEX5-HV vacuum pump, G1" vacuum port, G2" exhaust	3331135
EJ-CEN-LX6-HV-2-G1-H-G2	EJ-CEN-LARGEX6-HV vacuum pump, G1" vacuum port, G2" exhaust	3331136
EJ-CEN-LX7-HV-2-G1-H-G2	EJ-CEN-LARGEX7-HV vacuum pump, G1" vacuum port, G2" exhaust	3331137
EJ-CEN-LX8-HV-2-G1-H-G2	EJ-CEN-LARGEX8-HV vacuum pump, G1" vacuum port, G2" exhaust	3331138
EJ-CEN-LX9-HV-2-G1-1/2-H-G2	EJ-CEN-LARGEX9-HV vacuum pump, G1-1/2" vacuum port, G2" exhaust	3331139
EJ-CEN-LX10-HV-2-G1-1/2-H-G2	EJ-CEN-LARGEX10-HV vacuum pump, G1-1/2" vacuum port, G2" exhaust	3331140
EJ-CEN-LX11-HV-2-G1-1/2-H-G2	EJ-CEN-LARGEX11-HV vacuum pump, G1-1/2" vacuum port, G2" exhaust	3331141
EJ-CEN-LX12-HV-2-G1-1/2-H-G2	EJ-CEN-LARGEX12-HV vacuum pump, G1-1/2" vacuum port, G2" exhaust	3331142
EJ-CEN-LX13-HV-2-G1-1/2-H-G2	EJ-CEN-LARGEX13-HV vacuum pump, G1-1/2" vacuum port, G2" exhaust	3331143
EJ-CEN-LX14-HV-2-G2-H-G2	EJ-CEN-LARGEX14-HV vacuum pump, G2" vacuum port, G2" exhaust	3331144
EJ-CEN-LX15-HV-2-G2-H-G2	EJ-CEN-LARGEX15-HV vacuum pump, G2" vacuum port, G2" exhaust	3331145
EJ-CEN-LX16-HV-2-G2-H-G2	EJ-CEN-LARGEX16-HV vacuum pump, G2" vacuum port, G2" exhaust	3331146
EJ-CEN-LX5-HF-2-G1-H-G2	EJ-CEN-LARGEX5-HF vacuum pump, G1" vacuum port, G2" exhaust	3331147
EJ-CEN-LX6-HF-2-G1-H-G2	EJ-CEN-LARGEX6-HF vacuum pump, G1" vacuum port, G2" exhaust	3331148
EJ-CEN-LX7-HF-2-G1-H-G2	EJ-CEN-LARGEX7-HF vacuum pump, G1" vacuum port, G2" exhaust	3331149
EJ-CEN-LX8-HF-2-G1-H-G2	EJ-CEN-LARGEX8-HF vacuum pump, G1" vacuum port, G2" exhaust	3331150
EJ-CEN-LX9-HF-2-G1-1/2-H-G2	EJ-CEN-LARGEX9-HF vacuum pump, G1-1/2" vacuum port, G2" exhaust	3331151
EJ-CEN-LX10-HF-2-G1-1/2-H-G2	EJ-CEN-LARGEX10-HF vacuum pump, G1-1/2" vacuum port, G2" exhaust	3331152
EJ-CEN-LX11-HF-2-G1-1/2-H-G2	EJ-CEN-LARGEX11-HF vacuum pump, G1-1/2" vacuum port, G2" exhaust	3331153
EJ-CEN-LX12-HF-2-G1-1/2-H-G2	EJ-CEN-LARGEX12-HF vacuum pump, G1-1/2" vacuum port, G2" exhaust	3331154
EJ-CEN-LX13-HF-2-G1-1/2-H-G2	EJ-CEN-LARGEX13-HF vacuum pump, G1-1/2" vacuum port, G2" exhaust	3331155
EJ-CEN-LX14-HF-2-G2-H-G2	EJ-CEN-LARGEX14-HF vacuum pump, G2" vacuum port, G2" exhaust	3331156
EJ-CEN-LX15-HF-2-G2-H-G2	EJ-CEN-LARGEX15-HF vacuum pump, G2" vacuum port, G2" exhaust	3331157
EJ-CEN-LX16-HF-2-G2-H-G2	EJ-CEN-LARGEX16-HF vacuum pump, G2" vacuum port, G2" exhaust	3331158

Identification codes

Alphanumeric code	Accessories	Weight	Order code
EJ-RDC-G2-G1	G2" - G1" adapter	120 g	3330159
EJ-RDC-G2-G1-1/2	G2" - G1-1/2" adapter	70 g	3330160



*Reduction only version:
EJ-CEN-L**_***-G1_***
EJ-CEN-L**_***-G1-1/2-***



Maintenance

