

EJ-CLS-LARGE

- Exceptional performance and capacity for high speed pick and places
- Multiple connections for four different configurations: optional vacuum port and silencer either in line or T-shaped
- Available with three-stage EJ-LARGE cartridge (EJ-HF and EJ-HV)
- Analogue vacuum gauge and silencer included
- Light (body in POM), sturdy threads (aluminium fittings)
- G3/4" vacuum ports
- Ideal for centralised applications
- Pump body designed to ensure exceptional performance
- Dimensions compatible with those of other pumps on the market
- Easy maintenance: 4 screws that can be removed to access the ejectors

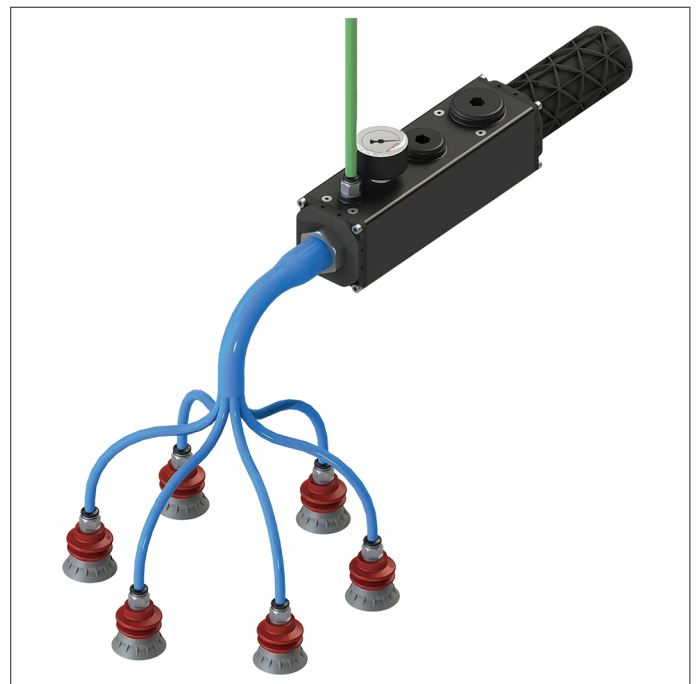
Typical applications

- High speed pick and place with centralised vacuum generator
- Graphic design, offset machines, pre- and post-printing
- Liquid filling and emptying applications
- Handling objects with heavy weights and porous surfaces

NEW



Application example



Technical features

Medium	Compressed air in compliance with ISO 8573-1:2010 [7:4:4]
Max feed pressure	0.7 MPa
Weight	850 g
Material	PA, SS, Al, Nitrile (NBR)
Noise level	< 70 dB

Suction flow rate

Model	Feed pressure [MPa]	Air consumption [Nl/s]	Suction flow rate [Nl/s] at different vacuum levels [kPa]										Max vacuum [kPa]
			0	-10	-20	-30	-40	-50	-60	-70	-80	-90	
EJ-CLS-LX3-HF-3-G3/4	0.6	5.1	17.7	10.5	7.5	5.1	2.67	1.86	1.53	0.93	–	–	-73
EJ-CLS-LX4-HF-3-G3/4	0.6	6.8	23.6	14	10	6.8	3.56	2.48	2.04	1.24	–	–	-73
EJ-CLS-LX3-HV-3-G3/4	0.5	5.79	18	11.1	6.3	5.7	2.37	1.65	1.2	0.93	0.45	0.06	-94
EJ-CLS-LX4-HV-3-G3/4	0.5	7.72	24	14.8	8.4	7.6	3.16	2.2	1.6	1.24	0.6	0.08	-94

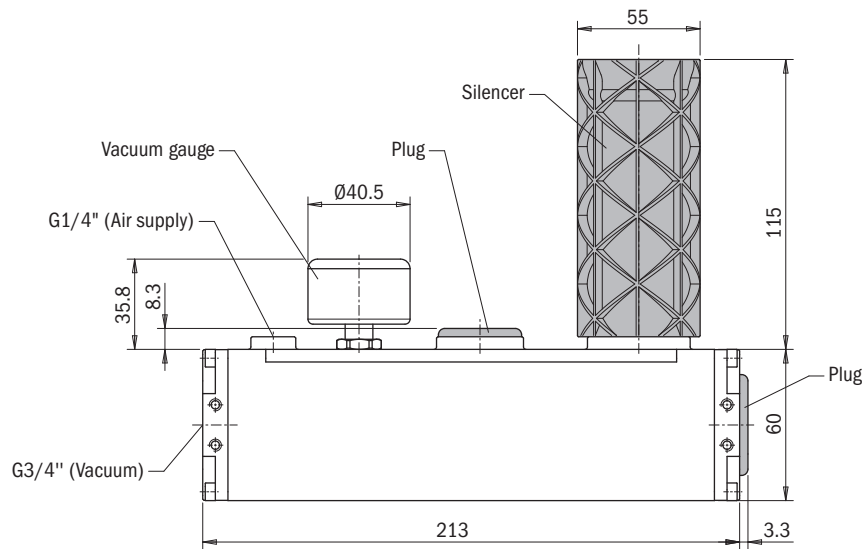
For technical specifications, regarding the suction flow rate and the air consumption at different pressures, please refer to the technical data sheets of the EJ-LARGE cartridges in the two- and three-stage versions

Evacuation time

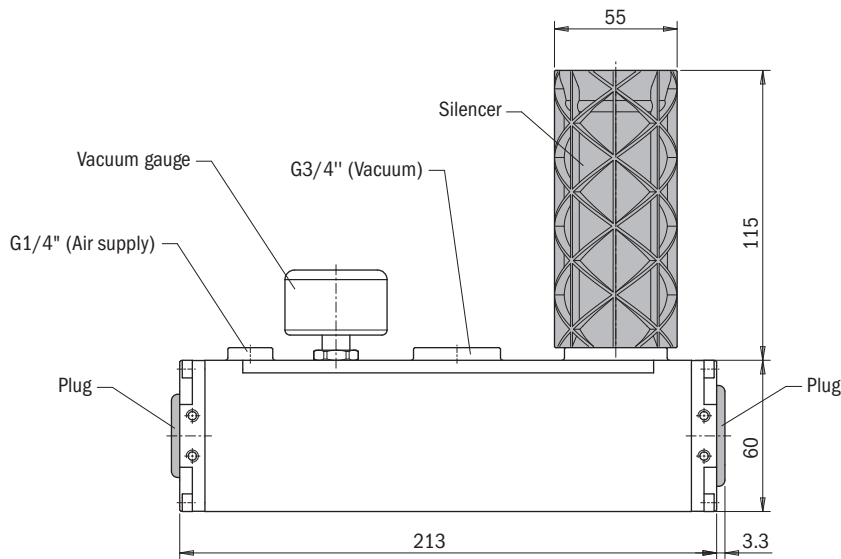
Model	Feed pressure [MPa]	Air consumption [Nl/s]	Evacuation time [s/l] to reach different vacuum levels [kPa]										Max vacuum [kPa]
			-10	-20	-30	-40	-50	-60	-70	-80	-90		
EJ-CLS-LX3-HF-3-G3/4	0.6	5.1	0.006	0.016	0.033	0.063	0.1	0.13	0.23	–	–	-73	
EJ-CLS-LX4-HF-3-G3/4	0.6	6.8	0.005	0.012	0.025	0.047	0.075	0.1	0.175	–	–	-73	
EJ-CLS-LX3-HV-3-G3/4	0.5	5.79	0.006	0.02	0.033	0.066	0.1	0.13	0.23	0.36	0.8	-94	
EJ-CLS-LX4-HV-3-G3/4	0.5	7.72	0.005	0.015	0.025	0.05	0.075	0.1	0.175	0.27	0.6	-94	

For technical specifications regarding the evacuation time and the consumption at different pressures, please refer to the technical data sheets of the EJ-LARGE cartridges, in the two- and three-stage versions

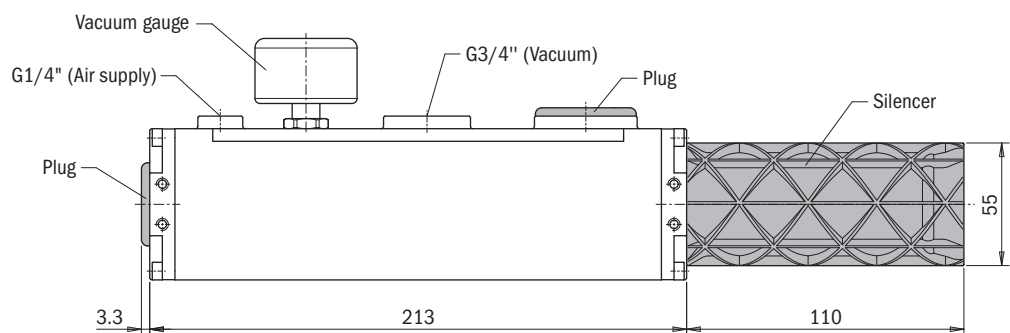
First configuration



Second configuration



Third configuration



Fourth configuration

