

EJ-XPPO

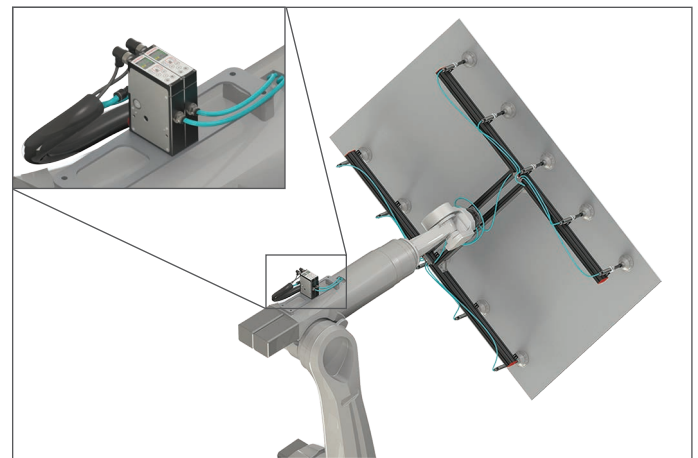
- Vacuum pump with advanced control functions, available with two-stage EJ-LARGE cartridges with non-return valve (EJ-HF, EJ-HV, EJ-LP)
- Energy saving system (ES), with manual and automatic modes, that saves up to 95% of compressed air in sealed applications
- Blow-off mechanism electrically controllable by pin or automatically at each cycle
- Large TFT colour display with intuitive and easy-to-read menu and pump status indications
- Electrical connection via M12 8-pin connector
- It can be installed in series (max 4 units)

Typical applications

- Unstacking and transfer from presses
- Removal of plastic parts
- Ergonomic manipulators where safety and ease of use are key features
- In applications that require an integrated control system with reduced weight and compact dimensions (electronics sector)
- Handling of objects with high weight and sealed surface (glass/ sheet metal)



Application example



Pneumatic specifications

Medium	Compressed air in compliance with ISO 8573-1:2010 [7:4:4]
Max feed pressure	0.8 MPa
Minimum supply pressure	0.4 MPa
Maximum air consumption for vacuum generation	156 NI/min
Maximum air consumption for blow-off	220 NI/min
Maximum blow-off flow rate	50 NI/min
Maximum suction flow rate	190 NI/min
Maximum blow-off pressure (zero flow rate)	0.25 bar
Valve opening time	≤ 12 ms
Valve closing time	≤ 5 ms
Supply	Dry air
Pneumatic supply connection	G1/4" female
Vacuum channel connection	G1/2" female
Maximum vacuum level	-95 kPa

Technical Features

Operating temperature range	0 ÷ +60 °C
Mass	800 g
IP rating	IP54
Materials	Alloy 6082-T6, PA66+FG 30%, AISI 303, TPU, PC
Operating voltage	24 Vdc (±10%)
Electrical connection	M12 8-pin male
Manual controls	Yes, monostable buttons
Vacuum transducer response time	1 ms
Vacuum level analogue output	0-5 Vdc
Valve controls	Digital PNP/NPN

Suction flow rate

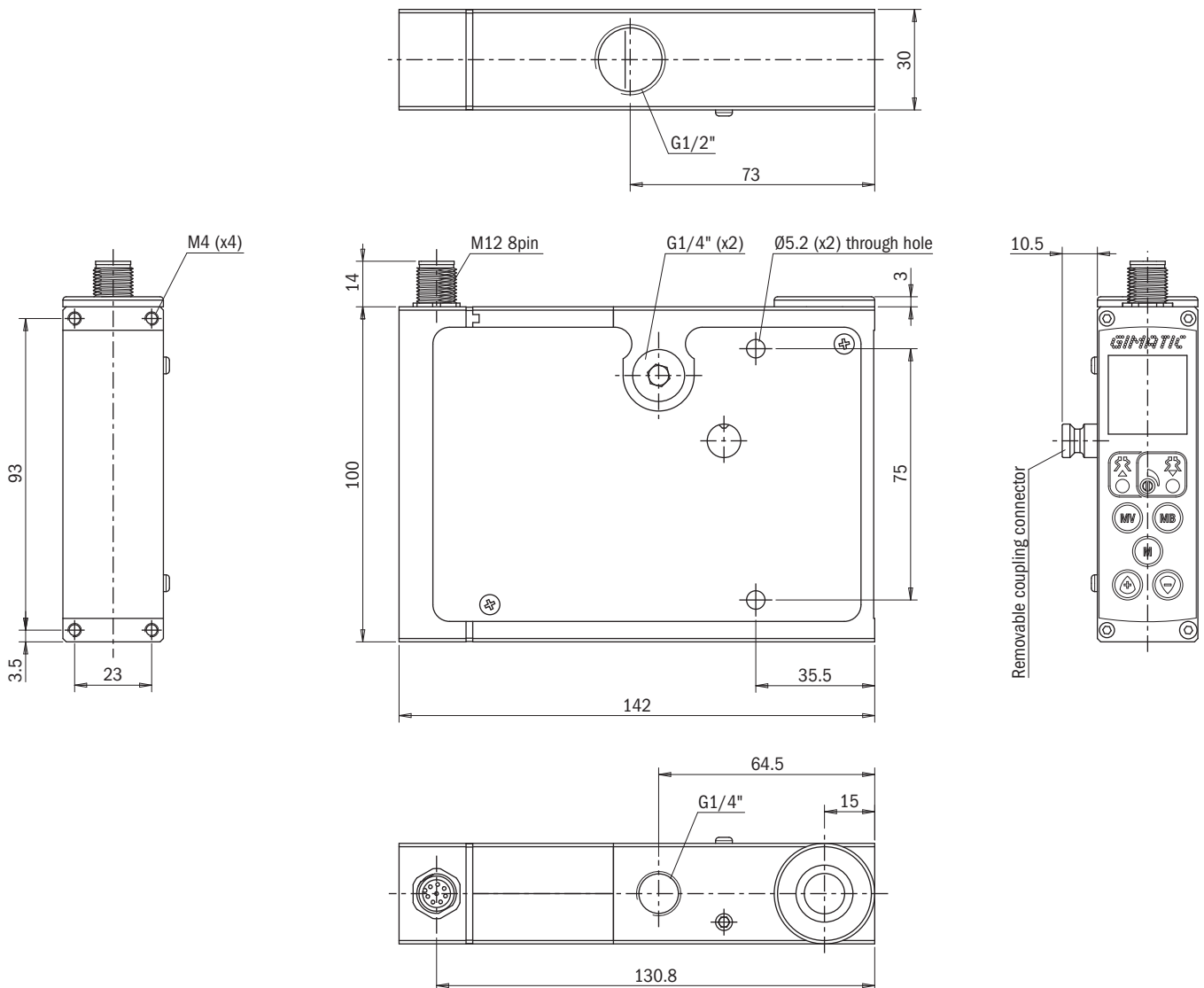
Model	Feed pressure [MPa]	Air consumption [NI/s]	Suction flow rate [NI/s] at different vacuum levels [kPa]										Max vacuum [kPa]
			0	-10	-20	-30	-40	-50	-60	-70	-80	-90	
EJ-XPRO-L-HF-2-NO/NC	0.6	1.7	3.2	3.0	2.5	1.7	0.89	0.62	0.51	0.31	—	—	-73
EJ-XPRO-L-HV-2-NO/NC	0.5	1.93	2.6	2.4	1.7	1.3	0.70	0.55	0.40	0.31	0.15	0.02	-94
EJ-XPRO-L-LP-2-NO/NC	0.4	2.6	2.8	2.5	2.1	1.5	1.1	0.66	0.36	0.26	0.08	—	-89

For technical specifications, regarding the suction flow rate and the air consumption at different pressures, please refer to the technical data sheets of the EJ-LARGE cartridges in the two-stage version

Evacuation time

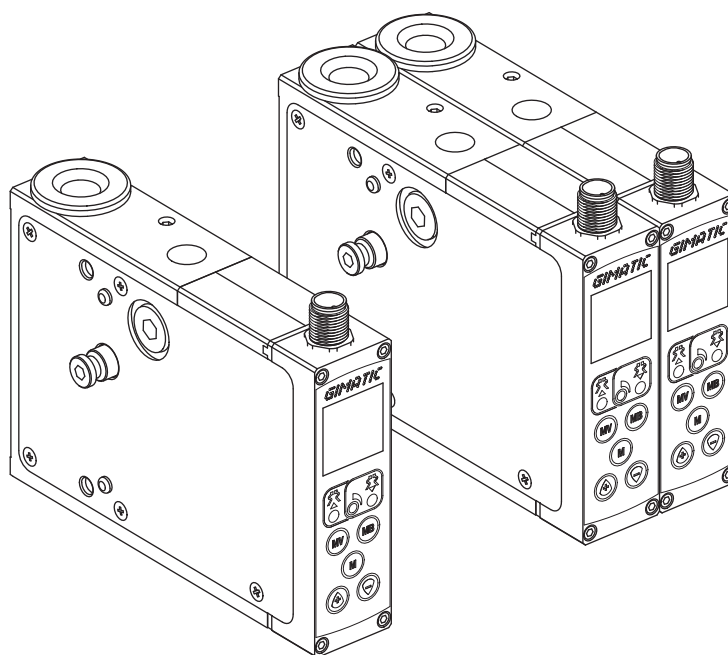
Model	Feed pressure [MPa]	Air consumption [NI/s]	Evacuation time [s/l] to reach different vacuum levels [kPa]										Max vacuum [kPa]
			-10	-20	-30	-40	-50	-60	-70	-80	-90		
EJ-XPRO-L-HF-2-NO/NC	0.6	1.7	0.03	0.07	0.12	0.19	0.3	0.4	0.7	—	—	-73	
EJ-XPRO-L-HV-2-NO/NC	0.5	1.93	0.04	0.09	0.16	0.3	0.4	0.6	0.9	1.3	2.5	-94	
EJ-XPRO-L-LP-2-NO/NC	0.4	2.6	0.04	0.07	0.14	0.19	0.3	0.5	0.8	1.4	—	-94	

For technical specifications regarding the evacuation time and the consumption at different pressures, please refer to the technical data sheets of the EJ-LARGE cartridges, in the two-stage version



Identification codes		
Alphanumeric code	Description	Order code
EJ-XPRO-L-HF-2-NO	Electronically controlled vacuum pump with integrated display, solenoid valves, keypad and 8-pin M12 connector. Large 2-stage HF cartridge with non-return valve and NO vacuum channel. Configurable as PNP or NPN, 24Vdc logic	3400100
EJ-XPRO-L-HV-2-NO	Electronically controlled vacuum pump with integrated display, solenoid valves, keypad and 8-pin M12 connector. Large 2-stage HV cartridge with non-return valve and NO vacuum channel. Configurable as PNP or NPN, 24Vdc logic	3400101
EJ-XPRO-L-LP-2-NO	Electronically controlled vacuum pump with integrated display, solenoid valves, keypad and 8-pin M12 connector. Large 2-stage LP cartridge with non-return valve and NO vacuum channel. Configurable as PNP or NPN, 24Vdc logic	3400102
EJ-XPRO-L-HF-2-NC	Electronically controlled vacuum pump with integrated display, solenoid valves, keypad and 8-pin M12 connector. Large 2-stage HF cartridge with non-return valve and NC vacuum channel. Configurable as PNP or NPN, 24Vdc logic	3400103
EJ-XPRO-L-HV-2-NC	Electronically controlled vacuum pump with integrated display, solenoid valves, keypad and 8-pin M12 connector. Large 2-stage HV cartridge with non-return valve and NC vacuum channel. Configurable as PNP or NPN, 24Vdc logic	3400104
EJ-XPRO-L-LP-2-NC	Electronically controlled vacuum pump with integrated display, solenoid valves, keypad and 8-pin M12 connector. Large 2-stage LP cartridge with non-return valve and NC vacuum channel. Configurable as PNP or NPN, 24Vdc logic	3400105

For codes relevant to configurations in series, please contact the Gimatic branch that serves your area



Identification codes		
Alphanumeric code	Electrical connectors	Order code
CFGM1200825P	Axial female connector with M12 lock nut, 8 pins, round PUR cable, length 2.5 metres	3031157
CFGM1200825SP	Axial female connector with M12 lock nut, 8-pin, shielded, 2.5 metre long PUR round cable	3031158
CFGM1290825SP	Angular female connector with M12 lock nut, 8-pin, shielded, 2.5 metre long PUR round cable	3031159

