

Vacuum gripping systems for bags / FBG-L, with integrated vacuum generators and 30 mm thick foam

FBG-L

- The FBG-L series of vacuum gripping systems with integrated vacuum generators is a compact solution designed for handling heavy bags of both liquid and solid materials with different shapes and weights
- It is fitted with two LARGE ejectors that can be either two or three-stage
- Available in the size 245x125 mm and with two heights 70 mm and 90 mm
- The body (PA12) is compact and lightweight yet sturdy
- The foam, 30 mm thick, is available in an orange version in natural rubber that adapts perfectly to the bag to be handled, and in a black version in EPDM that has excellent wear resistance
- Internal metal plate that protects the bag being handled against damage
- The additional MFI-A374-A kit can be used for directly fixing to the most common cobots on the market (ISO-9409-1-50-4-M6)

Introduction

Vacuum theory

Suction cups

Vacuum pumps

Vacuum gripping systems

Customised solutions

Suspensions

System accessories



Application example



Technical features

Temperature range	0 ÷ +50 °C
Weight	1 ± 1.25 kg
Material	PA, SS, NR, Al, Nitrile (NBR)

Suction flow rate

Model	Feed pressure [MPa]	Air consumption [NI/s]	Suction flow rate [NI/s] at different vacuum levels [kPa]										Max vacuum [kPa]
			0	-10	-20	-30	-40	-50	-60	-70	-80	-90	
FBG-245-125-H**-F30G-LX2-HF-2	0.6	3.4	6.2	6.0	5.0	3.4	1.78	1.24	1.02	0.62	–	–	-73
FBG-245-125-H**-F30G-LX2-HF-3	0.6	3.4	11.8	7.0	5.0	3.4	1.78	1.24	1.02	0.62	–	–	-73

For technical specifications, regarding the suction flow rate and the air consumption at different pressures, please refer to the technical data sheets of the EJ-LARGE cartridges in the two- and three-stage versions

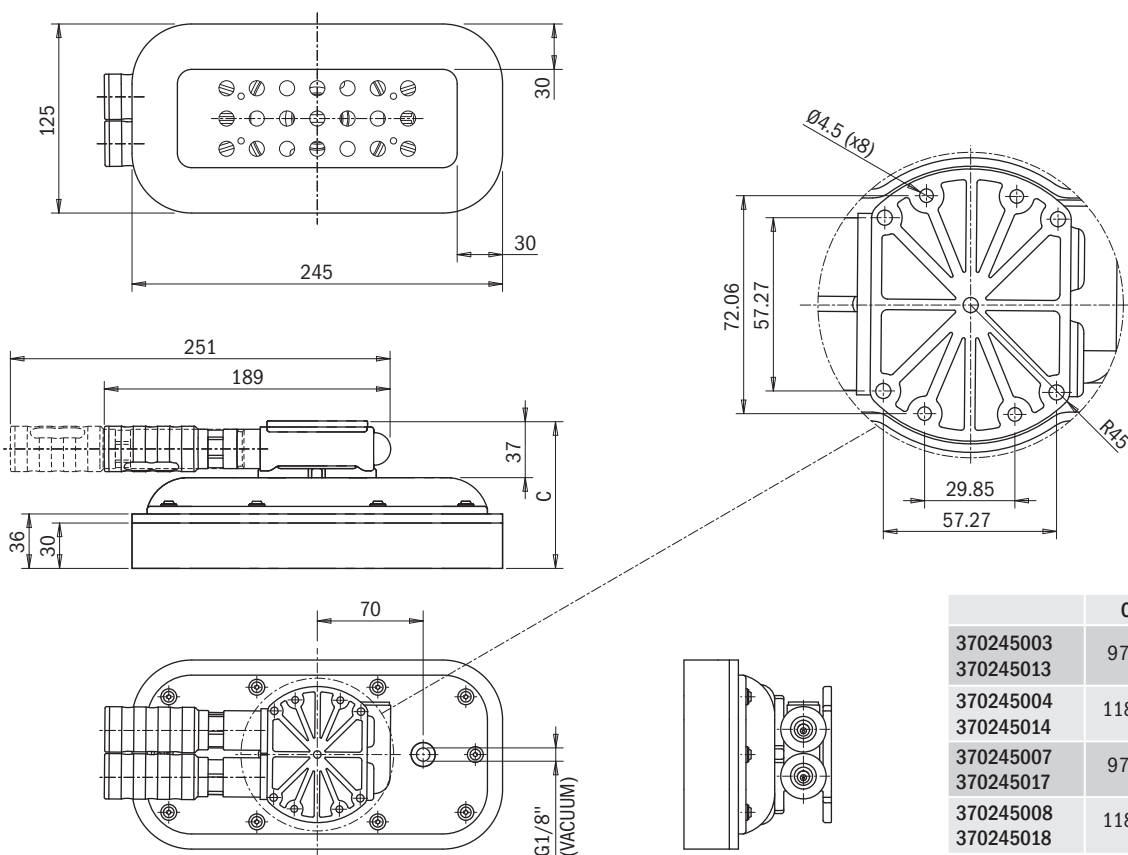
Evacuation time

Model	Feed pressure [MPa]	Air consumption [l/s]	Evacuation time [s/l] to reach different vacuum levels [kPa]									Max vacuum [kPa]
			-10	-20	-30	-40	-50	-60	-70	-80	-90	
FBG-245-125-H**-F30G-LX2-HF-2	0.6	3.4	0.015	0.035	0.06	0.095	0.15	0.2	0.35	–	–	-73
FBG-245-125-H**-F30G-LX2-HF-3	0.6	3.4	0.01	0.025	0.05	0.095	0.15	0.2	0.35	–	–	-73

For technical specifications regarding the evacuation time and the consumption at different pressures, please refer to the technical data sheets of the EJ-LARGE cartridges, in the two- and three-stage versions

Identification codes

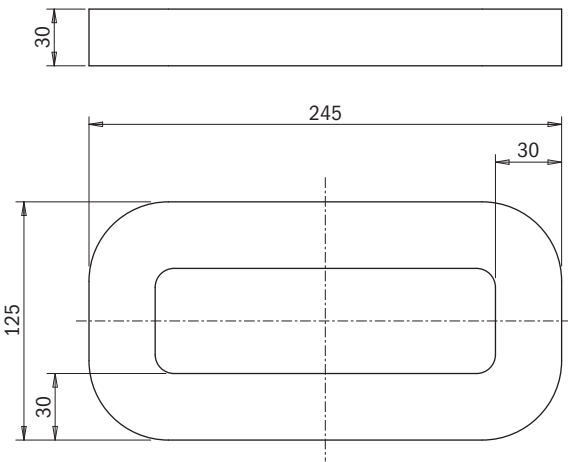
Alphanumeric code	Description	Order code
FBG-245-125-H70-F30G-LX2-HF-2	Vacuum gripping system for bags, 245x125x70 mm, with integrated two-stage vacuum generator and 30mm thick natural rubber foam	370245003
FBG-245-125-H90-F30G-LX2-HF-2	Vacuum gripping system for bags, 245x125x90 mm, with integrated two-stage vacuum generator and 30mm thick natural rubber foam	370245004
FBG-245-125-H70-F30G-LX2-HF-3	Vacuum gripping system for bags, 245x125x70 mm, with integrated three-stage vacuum generator and 30mm thick natural rubber foam	370245007
FBG-245-125-H90-F30G-LX2-HF-3	Vacuum gripping system for bags, 245x125x90 mm, with integrated three-stage vacuum generator and 30mm thick natural rubber foam	370245008
FBG-245-125-H70-F30-LX2-HF-2	Vacuum gripping system for bags, 245x125x70 mm, with integrated two-stage vacuum generator and 30mm thick EPDM foam	370245013
FBG-245-125-H90-F30-LX2-HF-2	Vacuum gripping system for bags, 245x125x90 mm, with integrated two-stage vacuum generator and 30mm thick EPDM foam	370245014
FBG-245-125-H70-F30-LX2-HF-3	Vacuum gripping system for bags, 245x125x70 mm, with integrated three-stage vacuum generator and 30mm thick EPDM foam	370245017
FBG-245-125-H90-F30-LX2-HF-3	Vacuum gripping system for bags, 245x125x90 mm, with integrated three-stage vacuum generator and 30mm thick EPDM foam	370245018



	C
370245003	97.5
370245013	97.5
370245004	118.5
370245014	118.5
370245007	97.5
370245017	97.5
370245008	118.5
370245018	118.5

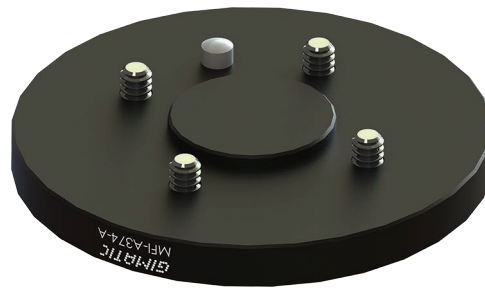
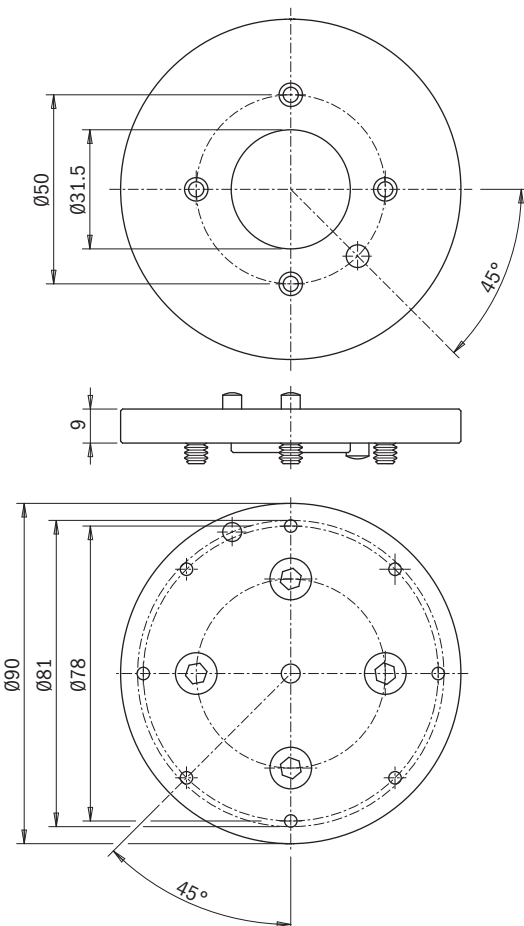
Identification codes

Alphanumeric code	Spare parts	Order code
FBG-F30G-245-125	Spare natural rubber foam, 245x125 mm, 30 mm thick	370300002
FBG-F30-245-125	Spare EPDM foam, 245x125 mm, 30 mm thick	370300001



Identification codes

Alphanumeric code	Accessories	Order code
-	ISO 9409-1-50-4-M6 flange with interface for fixing directly onto the wrist of the robot	MFI-A374-A



Identification codes

Alphanumeric code	Spare parts	Order code
FBG-F30G-245-125-A	Spare natural rubber foam, 245x125 mm, 30 mm thick, with fixing plate included	370300012
FBG-F30-245-125-A	Spare EPDM foam, 245x125 mm, 30 mm thick, with fixing plate included	370300011

