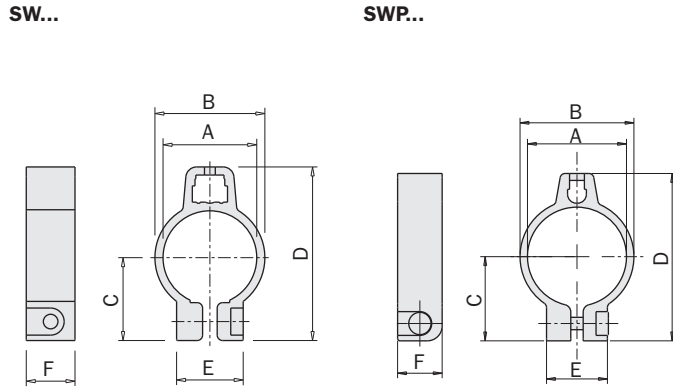


Fascette per micro-cilindri

- Fascette in nylon per fissaggio sensori su micro-cilindri.
- Molteplici dimensioni disponibili.
- Dado e vite di fissaggio in acciaio inclusi nella confezione.

Micro-cylinder fastening clamps

- Nylon clamps for fastening sensors on micro-cylinders.
- Available in various dimensions.
- Steel bolts and fixing screws included in the supply.



	SW-08	SW-10	SW-12	SW-16	SW-20	SW-25	SWP-14	SWP-20	SWP-30	SWP-50
Per cilindri For cylinders	Ø 8	Ø 10	Ø 12	Ø 16	Ø 20	Ø 25	Ø 14	Ø 20	Ø 30	Ø 50
A mm	Ø 9.3	Ø 11.3	Ø 13.3	Ø 17.3	Ø 21.3	Ø 26.5	Ø 14	Ø 20	Ø 30	Ø 50
B mm	12.3	14.3	16.3	20.3	24.3	29.5	16.8	23	33.2	53.6
C mm	11.1	12.2	13.2	15.3	17.4	20	13.5	17	23	33
D mm	23.9	25.9	28	32.1	36.2	41.4	27.3	33.8	44.8	64.8
E mm	12.3			14			12.3			
F mm	9									
Materiale corpo Material	PA; AISI 303									

Esempi di utilizzo
Application examples

