

Digital vacuum switch with display

- Easily readable colour display
- Compact in size and lightweight
- 7 units of measurement available (kPa, MPa bar, psi, inHg, mmHg, kgf/cm²)
- 2 PNP outputs, NO or NC
- Double display to allow the simultaneous reading of actual values and pre-set values
- “Key lock” indicator light to prevent changes to default settings
- “Energy saving” indicator light with indication on display
- Fixing brackets included
- Electric wiring included (both free cable output and M8 - 4 poles connector)

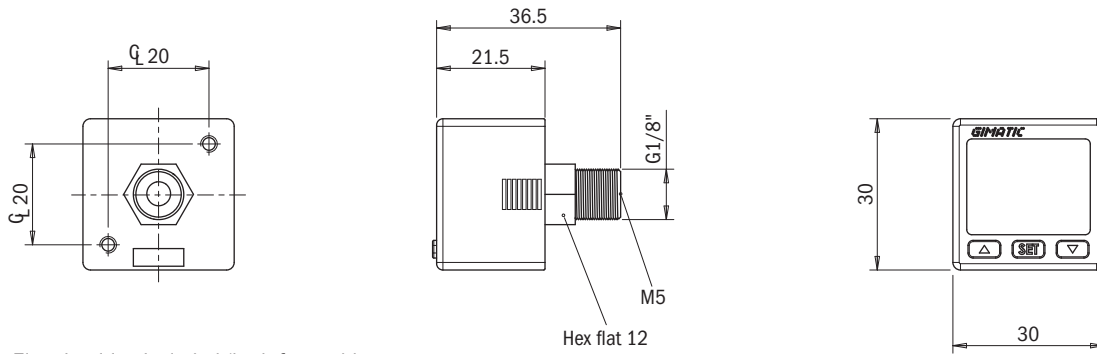


Technical features

Max feed pressure	500 kPa
Weight	70 g
Temperature range	0 ÷ +50 °C
Operating pressure range	0 ÷ -101.3 kPa
Output type	PNP NO/NC
Hysteresis	1 ÷ 8 kPa
Max current	125 mA
Current consumption	40 mA
Power supply	12 ÷ 24 Vdc
IP rating	IP40
Response time	≤ 2.5 ms

Identification codes

Alphanumeric code	Description	Order code
VACSDAN220-G	Digital vacuum switch with colour display, with DIN connector	3030157



Electric wiring included (both free cable output and M8-4 poles connector)

