

Pre-set electromechanical vacuum switch

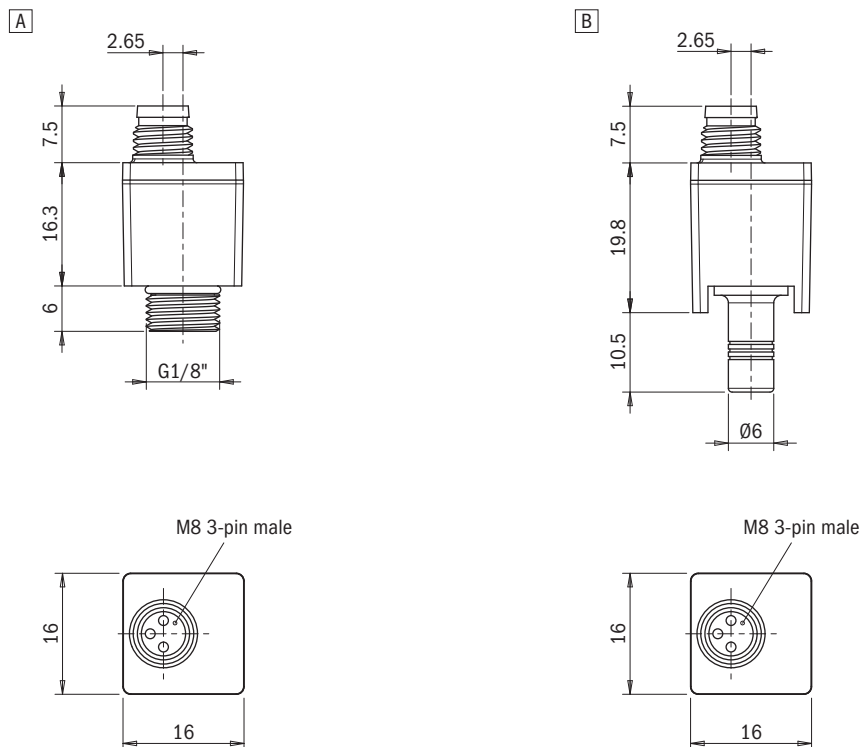
- Converts a vacuum signal into an electric digital signal
- Available in the version pre-set to -30, -50 and -70 kPa, with digital output
- PNP NO/NC or NPN NO/NC output function
- Possibility of connection with G1/8" or with Ø6 mm quick male connector



Technical features

Weight	5 g
Material	Pa, TPU, SS, CuZn (Au)
Temperature range	-25 ÷ +85 °C
Vacuum connection	Ø6 mm – G1/8"
Output type	NPN - PNP
Hysteresis	6 ± 1 kPa
Electrical connection	M8 3-pin male connector
Power supply	12 ÷ 30 Vdc
IP rating	IP54
Response time	4 ms
Dimensions	16 x 16 x 22 mm
Setting tolerance	-3 ÷ +5 kPa
Max voltage drop (100 mA / 24 V inductive load)	0.055 V
Max current	100 inductive / 400 resistive mA

Identification codes			
Drawing	Alphanumeric code	Description	Order code
A	VACSM-G18-30	Pre-set electromechanical vacuum switch -30 kPa, G1/8" male, PNP/NPN, NO/NC	3030150
B	VACSM-T06-30	Pre-set electromechanical vacuum switch -30 kPa, with Ø6 mm male connection, PNP/NPN, NO/NC	3030151
A	VACSM-G18-50	Pre-set electromechanical vacuum switch -50 kPa, G1/8" male, PNP/NPN, NO/NC	3030152
B	VACSM-T06-50	Pre-set electromechanical vacuum switch -50 kPa, with Ø6 mm male connection, PNP/NPN, NO/NC	3030153
A	VACSM-G18-70	Pre-set electromechanical vacuum switch -70 kPa, G1/8" male, PNP/NPN, NO/NC	3030154
B	VACSM-T06-70	Pre-set electromechanical vacuum switch -70 kPa, with Ø6 mm male connection, PNP/NPN, NO/NC	3030155



Identification codes		
Alphanumeric code	Accessories	Order code
CMGM800320CFGM8003	Extension cable with double M8 3-pin straight male/female connectors, 2 m long cable in PVC material	3030156
CFGM800325	M8 female connector with straight moulded PVC cable	3030146
CFGM800325P	M8 female connector with straight moulded PUR cable	3030148
CFGM890325P	M8 female connector with angled moulded PUR cable	3030149