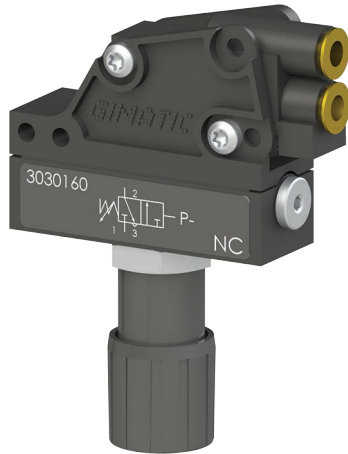


Pneumatic vacuum switch, NC, adjustable

- Converts a vacuum signal into a pneumatic signal
- Adjustment of the switching threshold by means of screw and handle
- 4mm quick fittings for pneumatic signal



Technical features

Max feed pressure	0.8 MPa
Mass	50 g
Material	CuZn, PA, POM, SS, Al, Nitrile
Temperature range	-10 ÷ +60 °C
Vacuum connection	M5
Operating pressure range	-15 ÷ -95 kPa
Valve configuration	NC
Hysteresis	12 kPa
Dimensions	60 x 54 x 16 mm

Identification codes

Alphanumeric code	Description	Order code
VACSP-NC-R	Pneumatic vacuum switch, NC, adjustable	3030160

