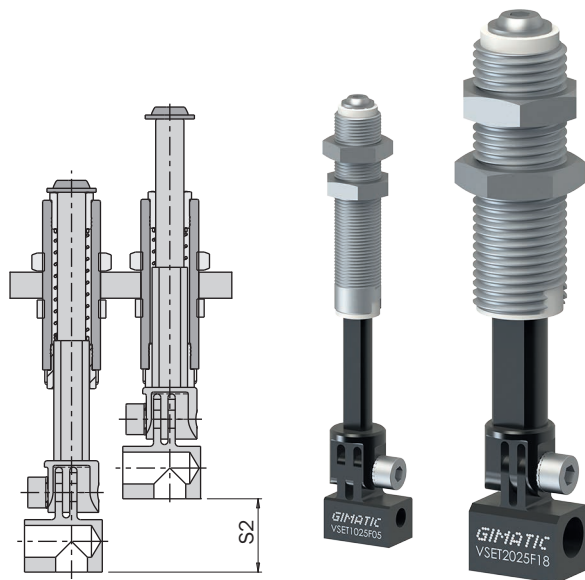
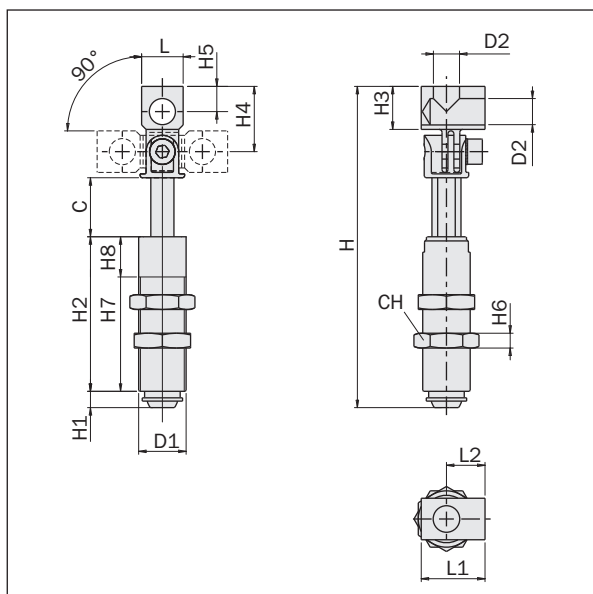


**Sospensioni anti-rotazione con giunto angolare integrato e corpo filettato**

- L'angolo è regolabile continuamente fra 0° e +/-90°.
- Alimentazione esterna.
- Corpo e stelo in alluminio anodizzato.
- Stelo anti-rotazione con elevata capacità di carico.
- Pressione di utilizzo: -1 ÷ 8 bar.
- Grasso alimentare FDA-H1.

**Threaded-body non-rotative suspensions with integral elbow arms**

- It is possible to set continuously the angle between 0° and +/-90°.
- External air feeding.
- Body and rod in anodized aluminum.
- Non-rotative rod with high load capability.
- Pressure range: -1 ÷ 8 bar.
- FDA-H1 food-grade grease.



	VSET1010F05 9900009	VSET1025F05 9900010	VSET1620F18 9900011	VSET1635F18 9900012	VSET2025F18 9900013	VSET2025F14 9900014	VSET2050F18 9900015	VSET2050F14 9900016
H [mm]	61.8	96.3	108.3	143.3	121.3	127.3	178.8	184.4
H1 [mm]	3.5	3.5	5.5	5.5	6.5	6.5	6.5	6.5
H2 [mm]	24.6	44.1	52.1	72.1	58.1	58.1	90.6	90.6
H3 [mm]	9	9	14.5	14.5	14.5	20.5	14.5	20.5
H4 [mm]	15	15	22	22	22	28	22	28
H5 [mm]	5.5	5.5	8.5	8.5	8.5	12	8.5	12
H6 [mm]	3.5	3.5	5	5	6	6	6	6
H7 [mm]	17.5	37	52	72	58	58	90.5	90.5
H8 [mm]	*7.1	*7.1	/	/	/	/	/	/
D1	M10x1	M10x1	M16x1	M16x1	M20x1.5	M20x1.5	M20x1.5	M20x1.5
D2	M5	M5	G1/8"	G1/8"	G1/8"	G1/4"	G1/8"	G1/4"
L [mm]	10	10	14	14	14	17	14	17
L1 [mm]	16	16	21.5	21.5	21.5	26	21.5	26
L2 [mm]	10.5	10.5	13	13	13	15	13	15
C [mm]	10	25	20	35	25	25	50	50
CH [mm]	13	13	19	19	24	24	24	24
S2 [mm]	10	25	20	35	25	25	50	50
d [mm]	0	0	0	0	0	0	0	0
K [N/mm]	0.213	0.085	0.268	0.150	0.275	0.275	0.141	0.142
R1 [N]	1.490	1.575	3.617	4.267	4.131	4.131	4.308	4.308
R2 [N]	3.619	3.704	8.975	9.507	11.02	11.02	11.37	11.37
m [g]	18	23	57	70	88	109	125	142

\*Non filettato  
\*Not threaded