

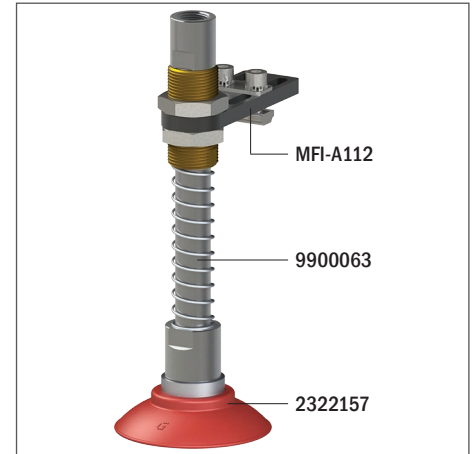
Rotative heavy-duty suspensions with threaded body

- Brass body with sliding bearings for heavy-duty applications with high dynamic stresses
- Rod and spring in stainless steel
- Rotating rod
- Sixe M20x1
- Available stroke: 25, 50 and 75 mm
- Suitable for use under rough conditions
- Easy maintenance

NEW



Application example



Technical data

	VSHT2025-F14F14	VSHT2025-F38F14	VSHT2050-F14F14	VSHT2050-F38F14	VSHT2075-F14F14	VSHT2075-F38F14
D	G1/4"	G3/8"	G1/4"	G3/8"	G1/4"	G3/8"
H [mm]	114	117	143	146	172	175
H1 [mm]	10	11	10	11	10	11
H2 [mm]	55	58	84	87	113	116
CH [mm]	15	19	15	19	15	19
S2 [mm]	25	25	50	50	75	75
Vertical load [N]	2400	2400	2400	2400	2400	2400
Horizontal load [N]	747	747	466	466	340	340
d [mm]	0	0	0	0	0	0
K [N/mm]	0.754	0.754	0.325	0.325	0.232	0.232
F min [N]	6	6	6.8	6.8	6.3	6.3
F max [N]	24.9	24.9	23.1	23.1	23.7	23.7
Weight [g]	200	215	225	240	255	270

Technical features

Pressure range	-1 ÷ 8 bar
Operating temperature	0° ÷ 80°C
Material	BR, AI, SS, PM

Identification codes

Alphanumeric code	Description	Order code
VSHT2025-F14F14	VSHT2025 - Heavy-duty suspension, G1/4" female, 25 mm useful stroke	9900060
VSHT2025-F38F14	VSHT2025 - Heavy-duty suspension, G3/8" female, 25 mm useful stroke	9900061
VSHT2050-F14F14	VSHT2050 - Heavy-duty suspension, G1/4" female, 50 mm useful stroke	9900062
VSHT2050-F38F14	VSHT2050 - Heavy-duty suspension, G3/8" female, 50 mm useful stroke	9900063
VSHT2075-F14F14	VSHT2075 - Heavy-duty suspension, G1/4" female, 75 mm useful stroke	9900064
VSHT2075-F38F14	VSHT2075 - Heavy-duty suspension, G3/8" female, 75 mm useful stroke	9900065

