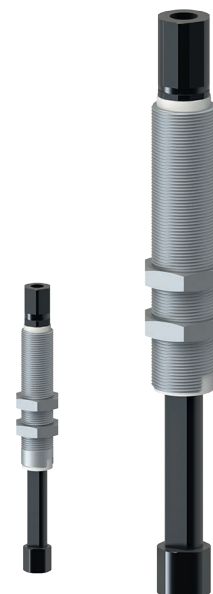
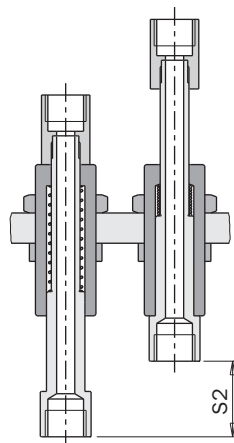
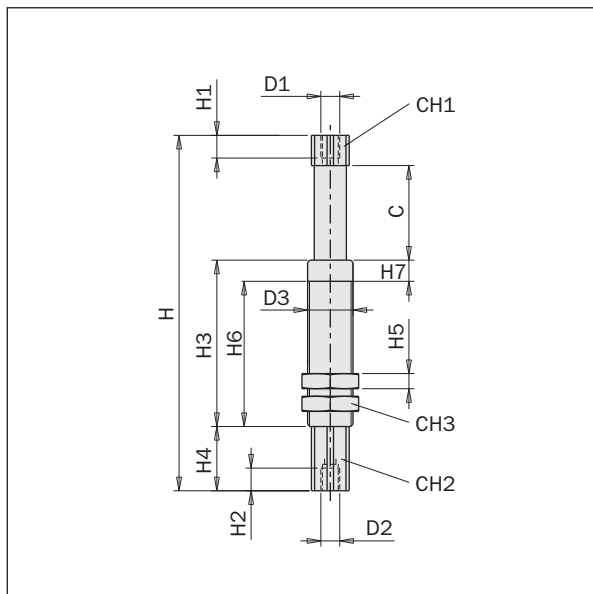


**Sospensioni anti-rotazione con corpo filettato**

- Corpo e stelo in alluminio anodizzato.
- Molla in acciaio inossidabile.
- Stelo anti-rotazione con elevata capacità di carico.
- Pressione di utilizzo: -1 ÷ 8 bar.
- Grasso alimentare NSF-H1.

**Threaded-body non-rotative suspensions**

- Body and rod in anodized aluminum.
- Spring in stainless steel.
- Non-rotative rod with high load capability.
- Pressure range: -1 ÷ 8 bar.
- NSF-H1 food-grade grease.



NEW NEW

	VSNTG1010 99000019	VSNTG1025 99000020	VSNTG1210 99000024	VSNTG1225 99000025	VSNTG1420 99000026	VSNTG1435 99000021	VSNTG1420M1 99000084	VSNTG1435M1 99000086	VSNTG1620 99000027	VSNTG1635 99000028	VSNTG2025F18 99000022	VSNTG2025F14 99000018	VSNTG2050F18 99000017	VSNTG2050F14 99000023	VSNTG2540 99000029	VSNTG2580 99000030
H [mm]	56	90.5	64.5	98.5	107	142	107	142	107	142	126	126	183.5	183.5	173	263
H1 [mm]	5	5	5.5	5.5	7	7	7	7	7	7	10	10	10	10	11	11
H2 [mm]	5	5	5.5	5.5	7	7	7	7	7	7	10	10	10	10	11	11
H3 [mm]	24.5	44	30	49	52	72	52	72	52	72	58	58	90.5	90.5	90	140
H4 [mm]	13.5	13.5	16.7	16.7	22	22	22	22	22	22	28	28	28	28	28	28
H5 [mm]	3.5	3.5	4	4	4	4	4	4	5	5	6	6	6	6	8	8
H6 [mm]	17.5	37	30	49	39	59	39	59	52	72	58	58	90.5	90.5	90	140
H7 [mm]	*7	*7	/	/	*13	*13	*13	*13	/	/	/	/	/	/	/	/
D1	M5	M5	M5	M5	G1/8"	G1/8"	G1/8"	G1/8"	G1/8"	G1/8"	G1/8"	G1/4"	G1/8"	G1/4"	G3/8"	G3/8"
D2	M5	M5	M5	M5	G1/8"	G1/8"	G1/8"	G1/8"	G1/8"	G1/8"	G1/8"	G1/4"	G1/8"	G1/4"	G3/8"	G3/8"
D3	M10x1		M12x1		M14x1.5		M14x1		M16x1		M20x1.5			M25x1.5		
CH1 [mm]	8	8	10	10	12	12	12	12	12	12	16	16	16	16	22	22
CH2 [mm]	8	8	10	10	12	12	12	12	12	12	16	16	16	16	22	22
CH3 [mm]	13	13	15	15	17	17	17	17	19	19	24	24	24	24	32	32
C [mm]	10	25	10	25	20	35	20	35	20	35	25	25	50	50	40	80
S2 [mm]	10	25	10	25	20	35	20	35	20	35	25	25	50	50	40	80
d [mm]	0	0	0	0	0	0	0	0	0	0	0	0	0	0	0	0
K [N/mm]	0.213	0.085	0.277	0.108	0.268	0.15	0.268	0.15	0.252	0.137	0.275	0.258	0.141	0.129	0.230	0.119
R1 [N]	1.49	1.575	1.938	2.112	3.617	4.267	3.617	4.267	3.650	4.325	4.131	4.388	4.308	4.452	6.082	6.005
R2 [N]	3.619	3.704	4.706	4.820	8.975	9.507	8.975	9.507	8.685	9.132	11.02	10.84	11.37	10.90	15.26	15.52
m [g]	12	16.5	20	26.5	37	47	37	47	46.5	58	90	86	118	115	205	275

\*Non filettato  
\*Not threaded